

BOARD TYPE BOLT FUSE

INTERRUPTING CAPACITY /
 3000A af 125VDC(50A-350A) TUV
 6000A af 100VDC(50A-350A) TUV
 8000A af 63VDC(50A-350A) TUV

TECHNICAL PARAMETERS/

PART NO.	CURRENT RATING	SAFETY APPROVALS			i ² T REFERENCE (A ² Sec.) (RoHS)
		TUV			
		L	L1	L2	
BTS -50L/L1/L2	50A				1000
BTS -60L/L1/L2	60A				2900
BTS -80L/L1/L2	80A				4700
BTS -100L/L1/L2	100A				6900
BTS -150L/L1/L2	150A				11500
BTS -200L/L1/L2	200A				23000
BTS -225L/L1/L2	225A				41000
BTS -250L/L1/L2	250A				51000
BTS -300L/L1/L2	300A				95000
BTS -350L/L1/L2	350A				110000

DENOTES FOR APPROVED
 DENOTES FOR PENDING

L DENOTES FOR 125V L 125V
L₁ DENOTES FOR 100V L₁ 100V
L₂ DENOTES FOR 63V L₂ 63V

ELECTRICAL CHARACTERISTICS/

% of CURRENT RATING	BLOWING TIME	
%		
100%	4 hour Min.	4
300%	10seconds Max.	10

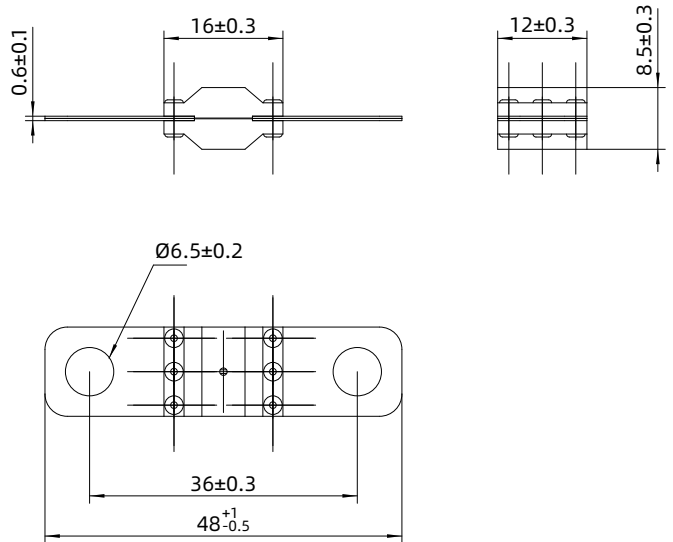
Standards/ EN 60269-1, EN 60269-4, IEC 60269-1, IEC 60269-4

Operating Temperature/ -55 ~125

Storing Temperature/ -55 ~85

Dimensions/

Unif mm



BTS RoHS Aheadge I-T Chac dcfedefice Cg dhe
 (FOR REFERENCE ONLY)

BTS RoHS I-T ()

